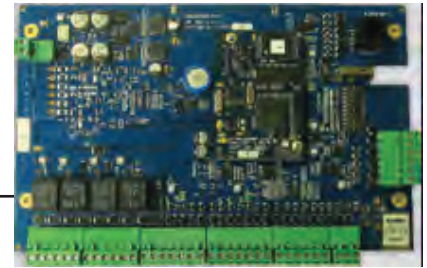


PRO3000

2-Door Intelligent Controller



The PRO3000 IP-enabled controller is an advanced access control panel capable of providing solutions for medium to large applications. The PRO3000 provides power and flexibility with its 32-bit CPU architecture, TCP/IP protocol support, flash memory for firmware and large local card holder database.

The PRO3000 is designed to operate off-line, making access control decisions independently from a PC or other controlling device. It can also be connected to a host computer for system configuration, alarm monitoring and direct control. Connectivity to the host computer is accomplished via TCP/IP network connection.

The PRO3000 combines intelligent controller and reader interface into one complete unit. It connects for two readers via Wiegand controlling two doors. The controller can support up to 62 doors via RS485 multi-drop communication where 30 downstream controllers are connected to the gateway controller. This architecture can reduce the usage on LANs by using only one TCP/IP address to 62 doors.

The PRO3000 accommodates a card database of 55,000 cards, and a transaction buffer of 45,000 transactions.

The PRO3000 is designed with tile mounting configuration.

Features

Specifications

Database:

- Cardholder capacity: 55,000
- Transaction storage: 45,000
- Flash programming for firmware revision updates
- Access level: 128
- Holidays: 255
- Time zone: 127
- Card reader formats: 128 Wiegand format support
- Credential facility codes: 8
- Dedicated tamper alarm
- Dedicated power fail alarm
- Real time clock:
 - Geographic time zone support
 - Leap year support
- Embedded web server to configure network attributes

Environment:

- Temperature: 0 to 50° C operational;
-55 to 85° C storage
- Humidity: 0 to 85% RHNC

Communication:

- Ethernet port connected to TCP/IP network as master panel
- RS485 multi-drop connection for downstream panels

Onboard I/O:

- 2 Readers, expandable to 62 readers per gateway controller
- 8 Supervised inputs
- 4 Relay outputs

Operational Functionality:

- Operational modes:
 - Card only
 - Card and PIN
- Maximum site codes: 8 digit
- Anti-Passback support:
 - Local
 - Global
 - Forgiveness
- Interlocks: 256
- Duress alarm

Dimensions:

- 152mm W x 229mm H

Approvals:

- CE/FCC/C-TICK

Recommended Readers: Smart Card Readers:

JT-MCR Mifare CSN Readers
HON-MSR Mifare Sector Readers
OmniClass Readers
HID iClass Readers

Proximity Readers:

OmniProx Readers
HID Proximity

Biometrics Readers:

HON-FIN3000 Fingerprint
Bioscript

PRO3000

2-Door Intelligent Controller

Benefits

More IT-friendly

Onboard Ethernet port allows seamless connection to TCP/IP networks

Bigger Databases

Cardholder capacity of 55,000 and transaction storage of 45,000

Easier to Deploy

Integrated hardware structural design simplifies installation and expansion

More Secure

Distributed architecture makes risk of failure highly dispersed

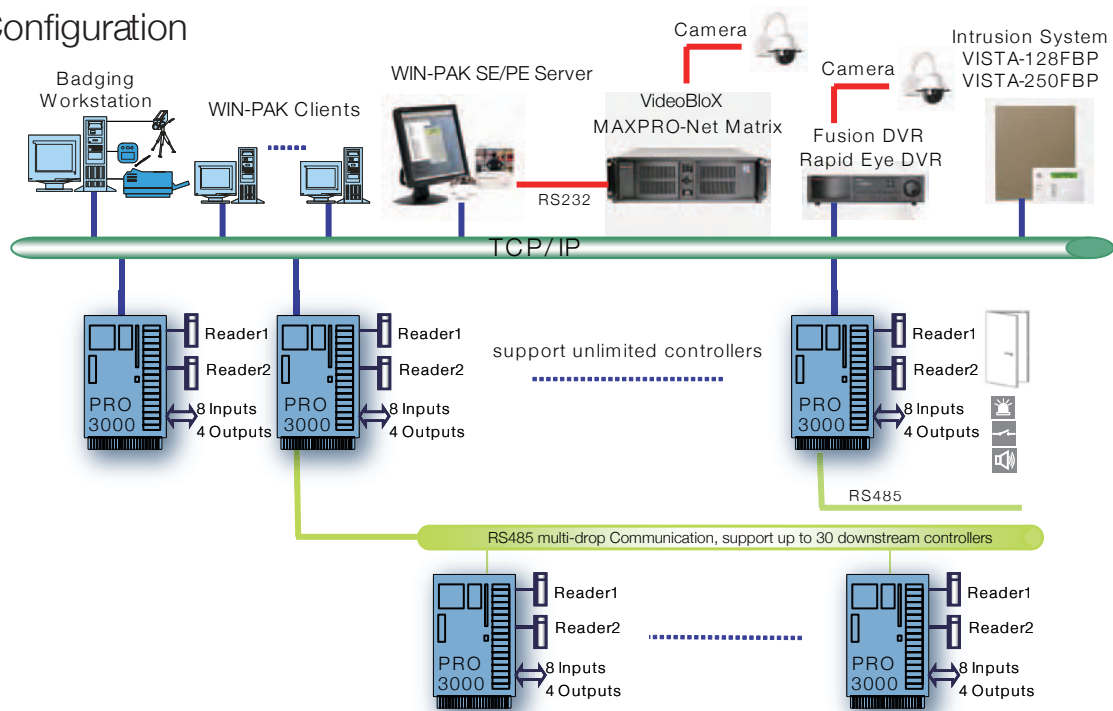
- True 32-bit microprocessor provides fast transaction processing for the most demanding network applications
- TCP/IP-based distributed hardware architecture allows for economic system installation
- Flash memory allows new versions of firmware to be downloaded from the host computer to the controller(s) through the central network
- Large, local controller database allows access control decisions to be made by controller in real time without the need to communicate to the server
- Scalable architecture ensures optimal performance with a seamless upgrade path to accommodate future growth beyond initial installation

Ordering Information

Order #	Description
PRO3000	PRO3000 2-door intelligent Controller

*Note: Honeywell reserves the right, without notification, to make changes in product design and/or specifications.

System Configuration



For more information:

Security Asia Pacific Headquarters
 Security Australia Sales Hotline
 Security China Sales Hotline
 Security Hong Kong
 Security India

Tel: (86) 21 2219 6888
 Tel: 1300 234 234
 Tel: 400-8800-330
 Tel: (852) 2405 2323
 Tel: (91) 124 497 5000

Security Indonesia
 Security Korea
 Security Singapore
 Security Taiwan
 Security Thailand

Tel: (62 21) 536 52322
 Tel: (82) 2 799 6114
 Tel: (65) 6355 2828
 Tel: (886) 2 2245 1000
 Tel: (66) 2 693 3099

www.asia.security.honeywell.com
 security.ap@honeywell.com

Honeywell Security Group
 Automation & Control Solutions
 Honeywell International Inc.
 www.security.honeywell.com

Mar 2015
 © 2015 Honeywell International Inc.

